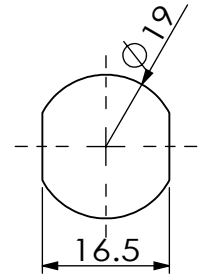
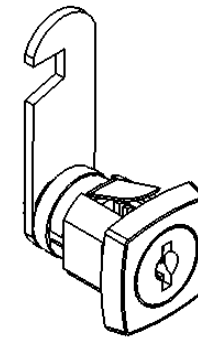
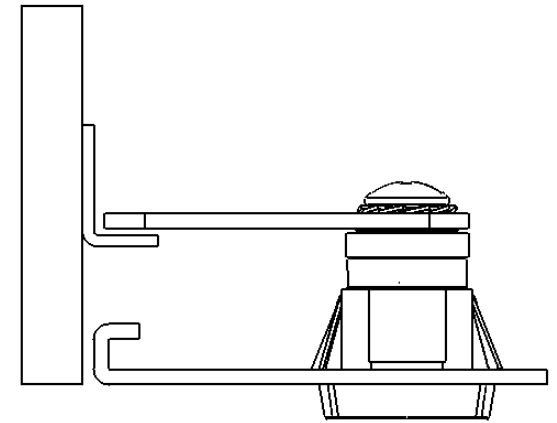


安装示意图 Installation diagram



参考开孔尺寸
Refers to the hole size

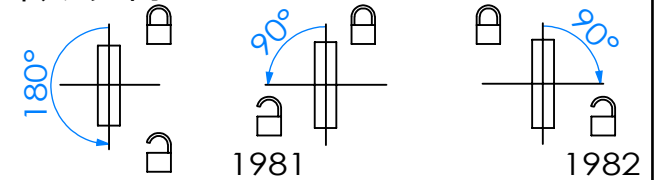
规格参数表
Specification

可选配件 Selected accessories

Model	D	L
1980	19	20
1981	19	20
1982	19	20

可选配件 Selected accessories			

转动方向 Core turn direction

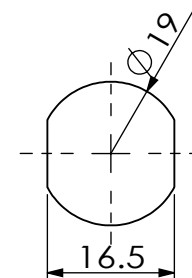
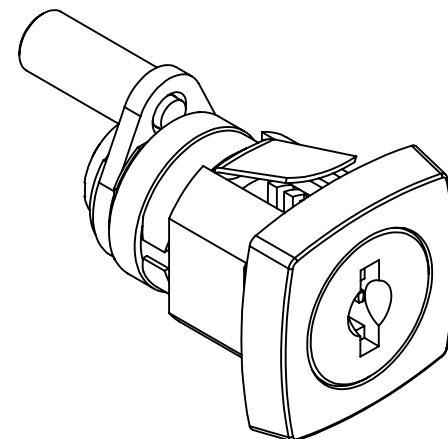
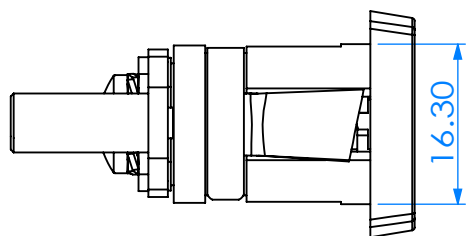
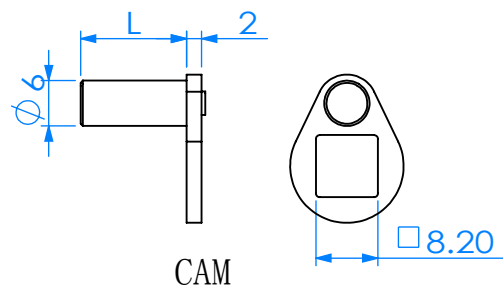
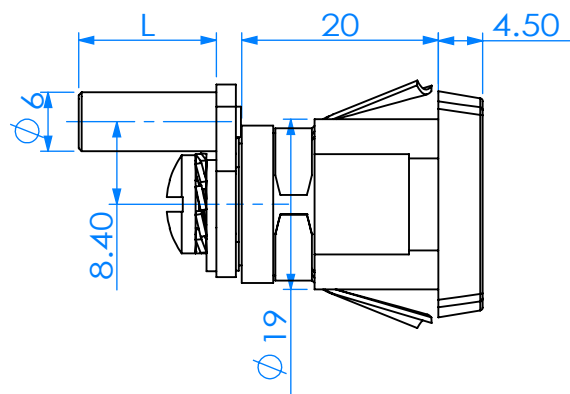
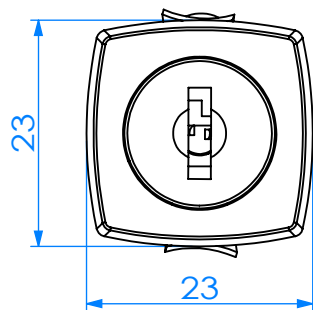


198

Version
A0

WUIKAI LOCKS Manufactory Ltd.

安装示意图 Installation diagram



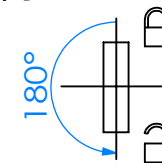
参考开孔尺寸
Refers to the hole size

可选配件 Selected accessories

转动方向 Core turn direction

规格参数表
Specification

Model	D	L
1985	19	14
1986	19	36
1987	19	60



198

Version
A0

WUIKAI LOCKS Manufactory Ltd.