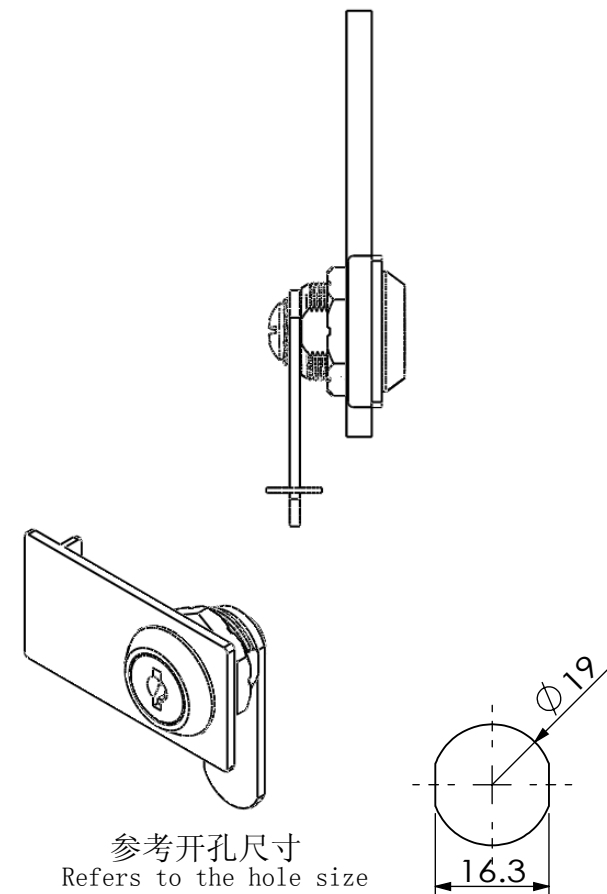


A1004

安装示意图 Installation diagram



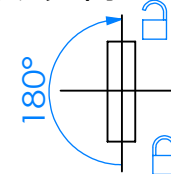
参考开孔尺寸  
Refers to the hole size

规格参数表  
Specification

可选配件 Selected accessories

Model	D	L
2190	19	16

转动方向 Core turn direction



219

Version  
A0

WUIKAI LOCKS Manufactory Ltd.