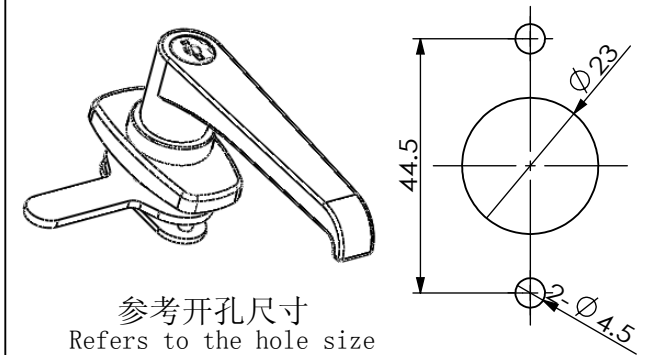
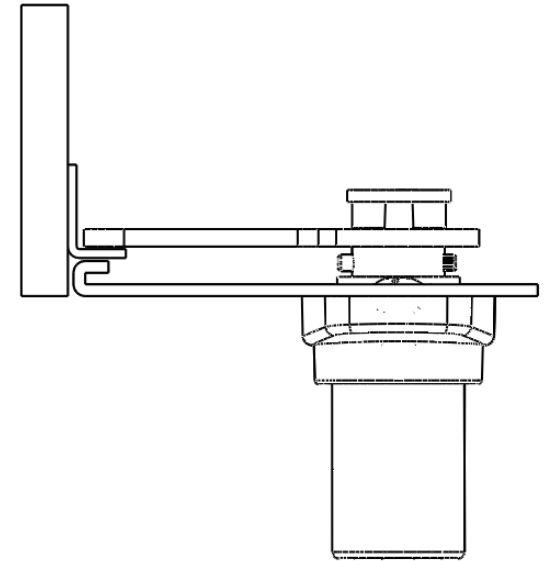


安装示意图 Installation diagram

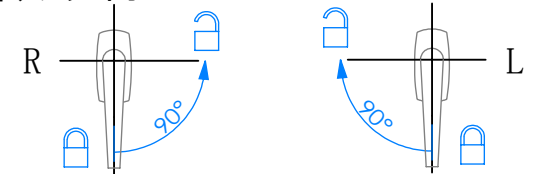


可选配件 Selected accessories

规格参数表  
Specification

Model	D	L
1831-R		
1831-L		

转动方向 Core turn direction



1831

Version  
A0

WUIKAI LOCKS Manufactory Ltd.