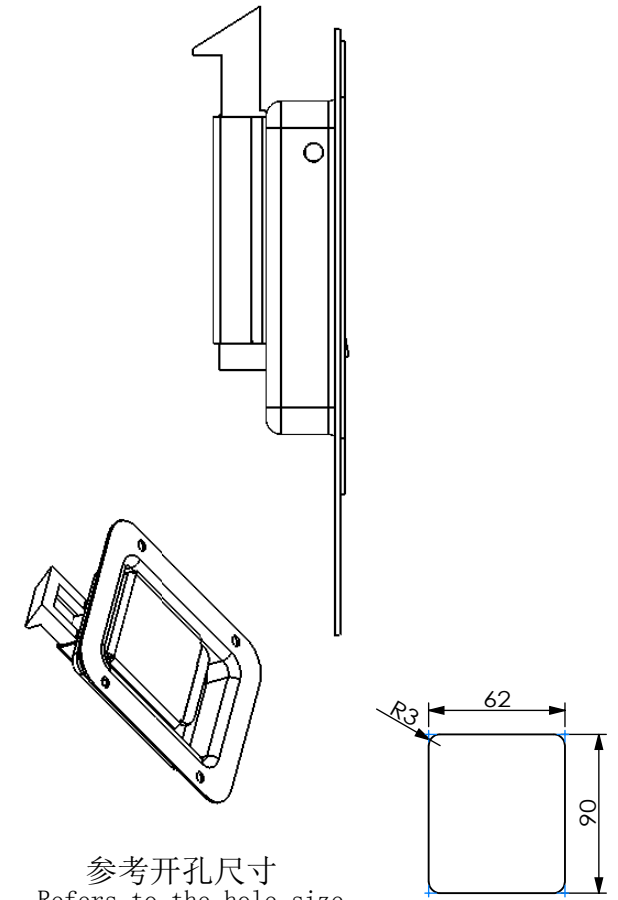


安装示意图 Installation diagram



参考开孔尺寸
Refers to the hole size

规格参数表 Specification			可选配件 Selected accessories			
Model	D	L				
SS6211						

转动方向 Core turn direction

SS6211	Version
	A1
WUIKAI LOCKS Manufactory Ltd.	