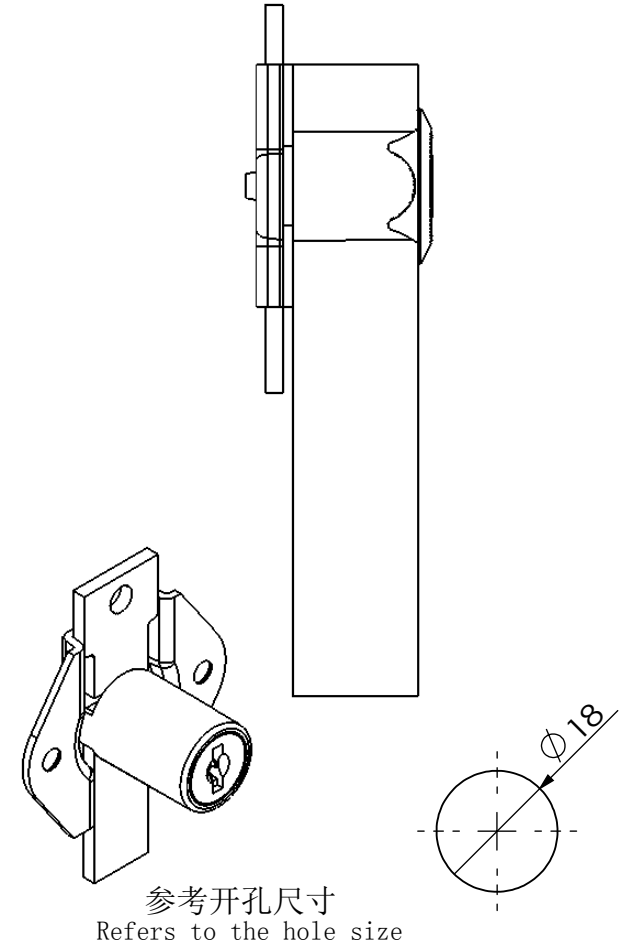


安装示意图 Installation diagram

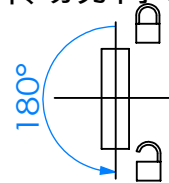


规格参数表  
Specification

可选配件 Selected accessories

| Model | D  | L  |
|-------|----|----|
| 2620  | 17 | 22 |
| 2621  | 17 | 32 |
|       |    |    |
|       |    |    |

转动方向 Core turn direction



262

Version  
A0

WUIKAI LOCKS Manufactory Ltd.