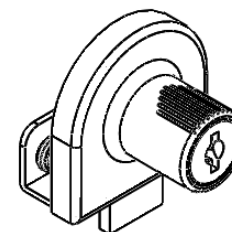
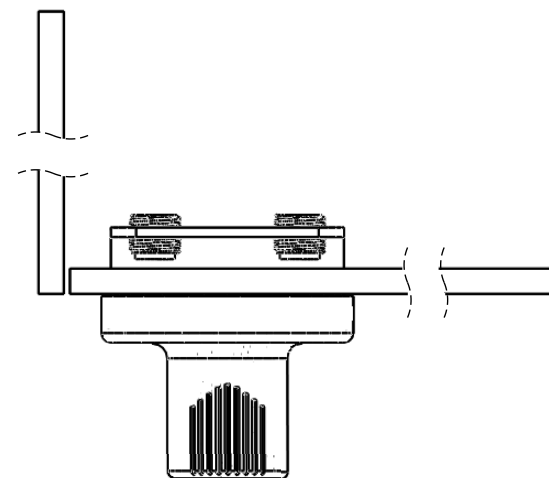


A1007

安装示意图 Installation diagram



参考开孔尺寸
Refers to the hole size

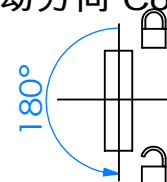
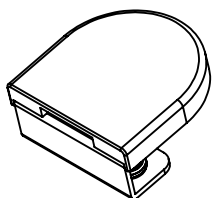
规格参数表
Specification

可选配件 Selected accessories

转动方向 Core turn direction

Model	D	L
2380		

A1068



238

Version
A0

WUIKAI LOCKS Manufactory Ltd.