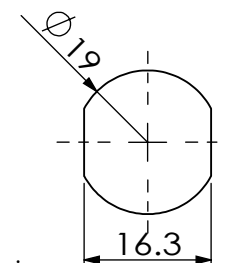
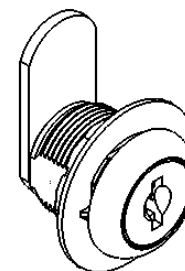
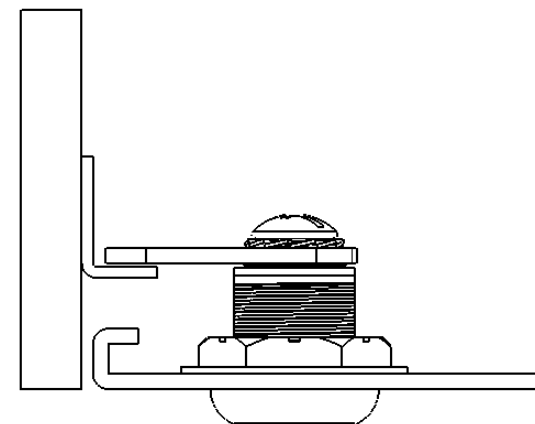


注：2760不选配A1101  
Notes: 2760 W/O A1101

安装示意图 Installation diagram

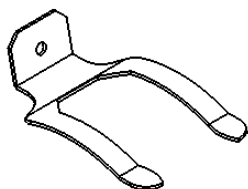


参考开孔尺寸  
Refers to the hole size

可选配件 Selected accessories

规格参数表  
Specification

A1015



Model	D	L
2760	19	16
2761	19	20
2762	19	25
2763	19	30

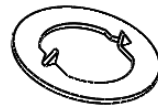
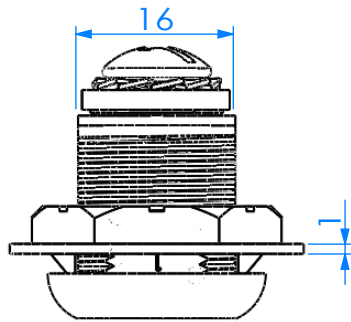
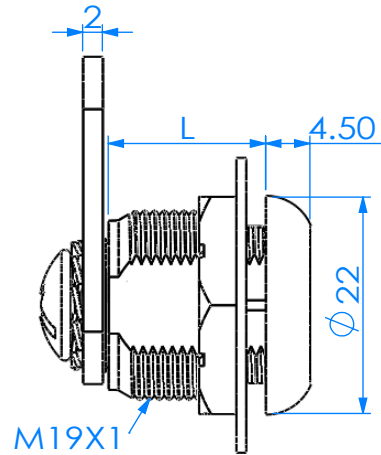
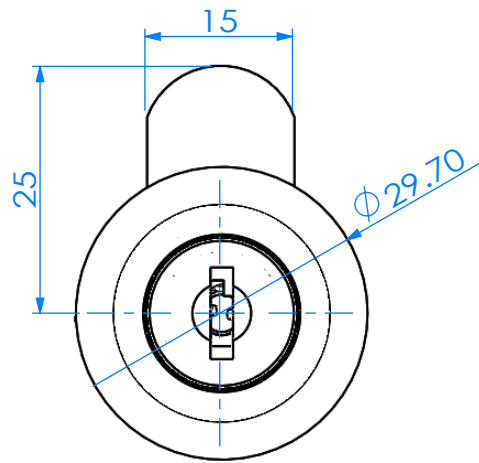
转动方向 Core turn direction



276

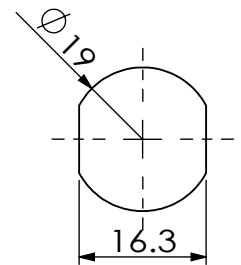
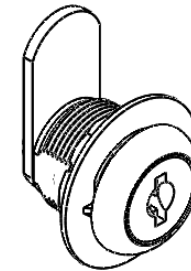
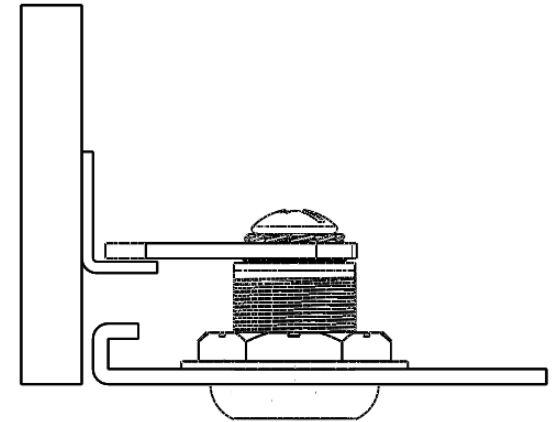
Version  
A0

WUIKAI LOCKS Manufactory Ltd.



注：2765不选配A1101  
Notes: 2765 W/O A1101

安装示意图 Installation diagram



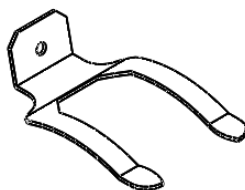
参考开孔尺寸  
Refers to the hole size

可选配件 Selected accessories

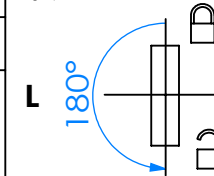
规格参数表  
Specification

Model	D	L
2765	19	16
2766	19	20
2767	19	25
2768	19	30

A1015



转动方向 Core turn direction



276

Version  
A0

WUIKAI LOCKS Manufactory Ltd.