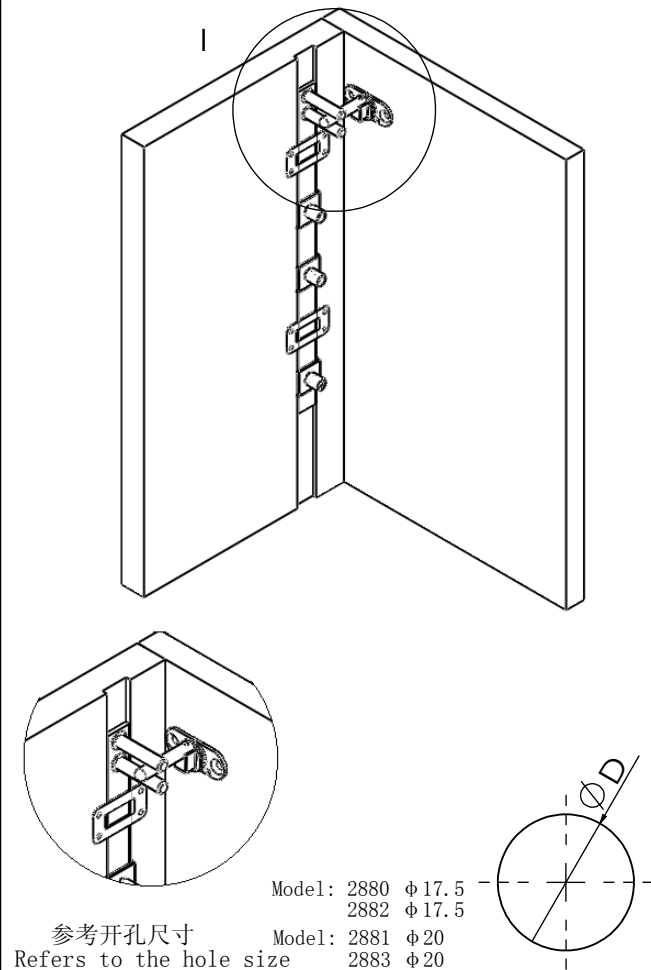


安装示意图 Installation diagram



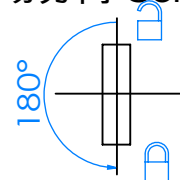
Model: 2880 ϕ 17.5
 2882 ϕ 17.5
 Model: 2881 ϕ 20
 2883 ϕ 20

参考开孔尺寸
 Refers to the hole size

2882 2883: IK

规格参数表 Specification			可选配件 Selected accessories			
			A1021-11MM	A1021-13MM	A1021-19MM	A1060
Model	D	L				
2880	16.5	20				
2881	19	20				
2882	16.5	20				
2883	19	20				

转动方向 Core turn direction



288	Version
	A0
WUIKAI LOCKS Manufactory Ltd.	