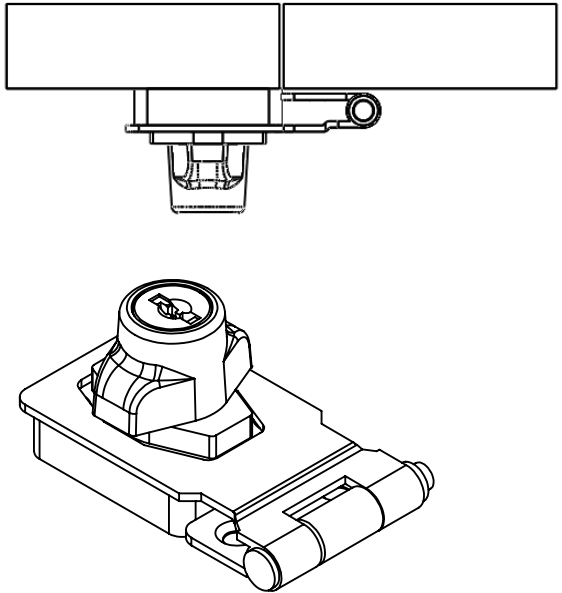
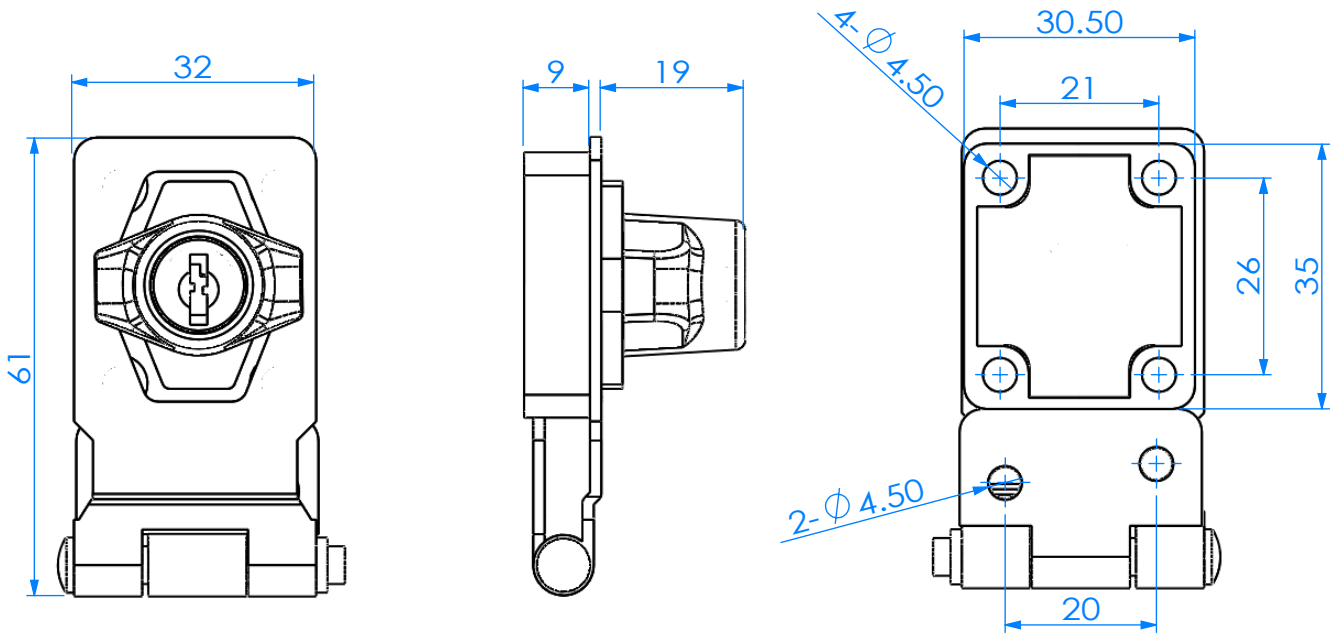


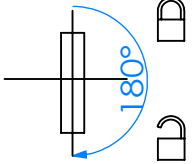
安装示意图 Installation diagram



参考开孔尺寸  
Refers to the hole size

规格参数表 Specification			可选配件 Selected accessories			
Model	D	L				
3820						

转动方向 Core turn direction



382

Version  
A0

WUIKAI LOCKS Manufactory Ltd.