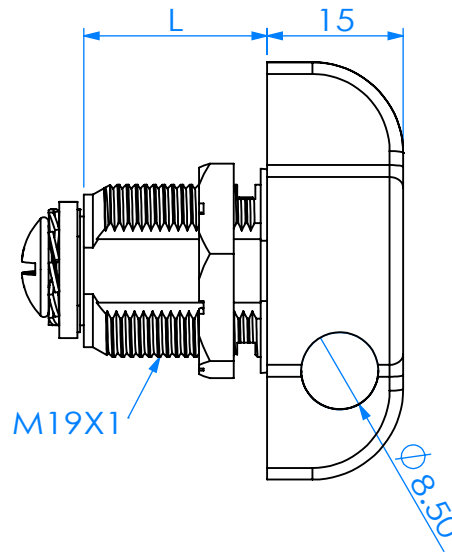
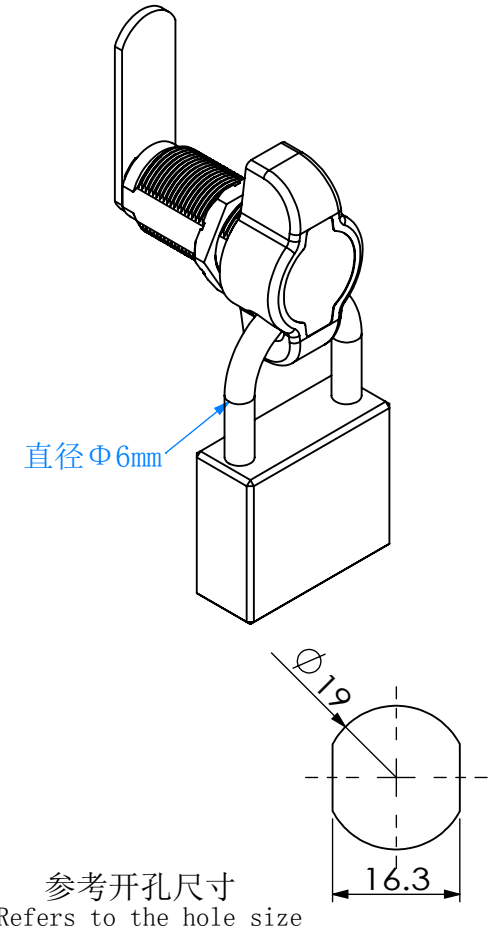


R

L



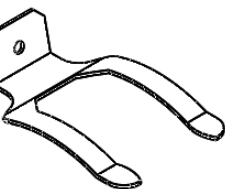
安装示意图 Installation diagram



规格参数表
Specification

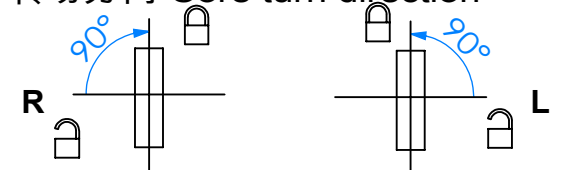
可选配件 Selected accessories

Model	D	L
3000		16
3001		20
3002		25
3003		30



A1015

转动方向 Core turn direction



300

Version
A0

WUIKAI LOCKS Manufactory Ltd.