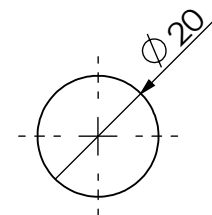
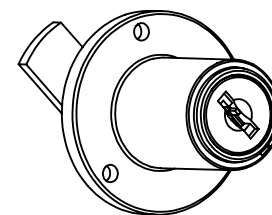
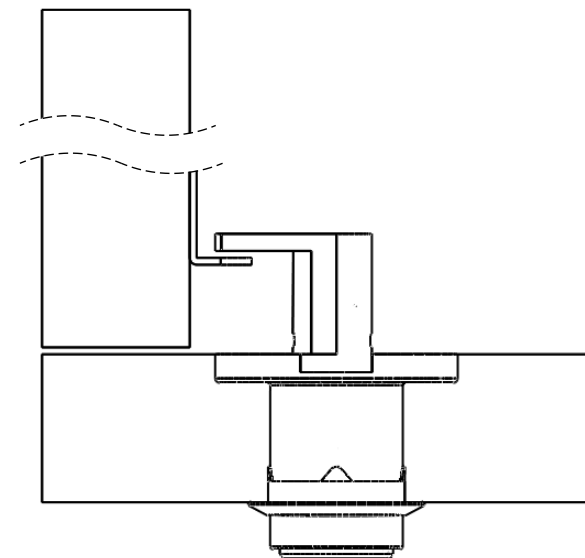
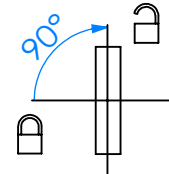


安装示意图 Installation diagram



参考开孔尺寸  
Refers to the hole size

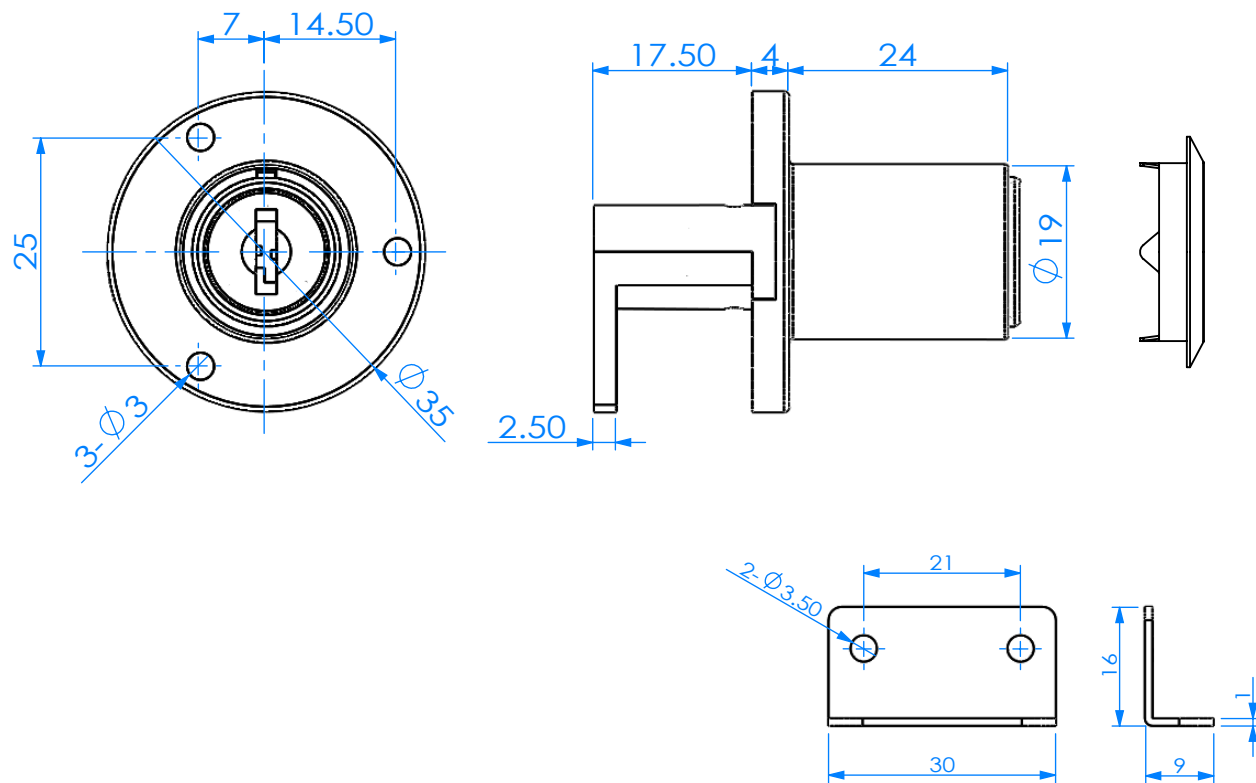
转动方向 Core turn direction



269

Version  
A0

WUIKAI LOCKS Manufactory Ltd.



A1006

可选配件 Selected accessories

规格参数表  
Specification

Model	D	L
2690	19	24