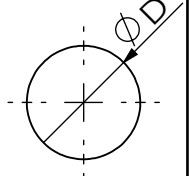
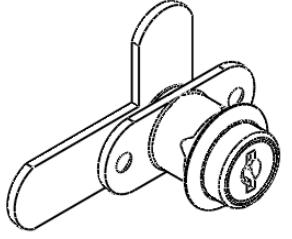
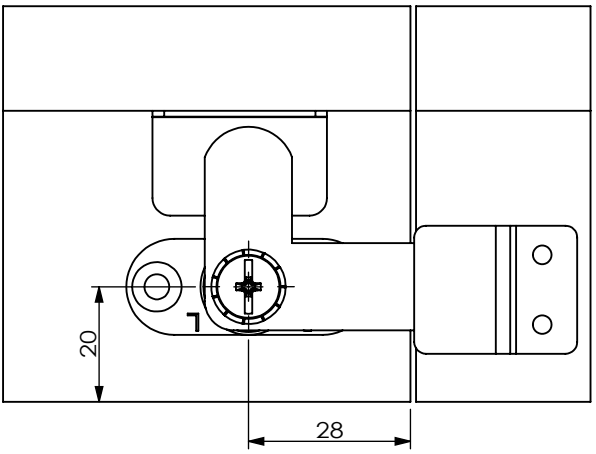
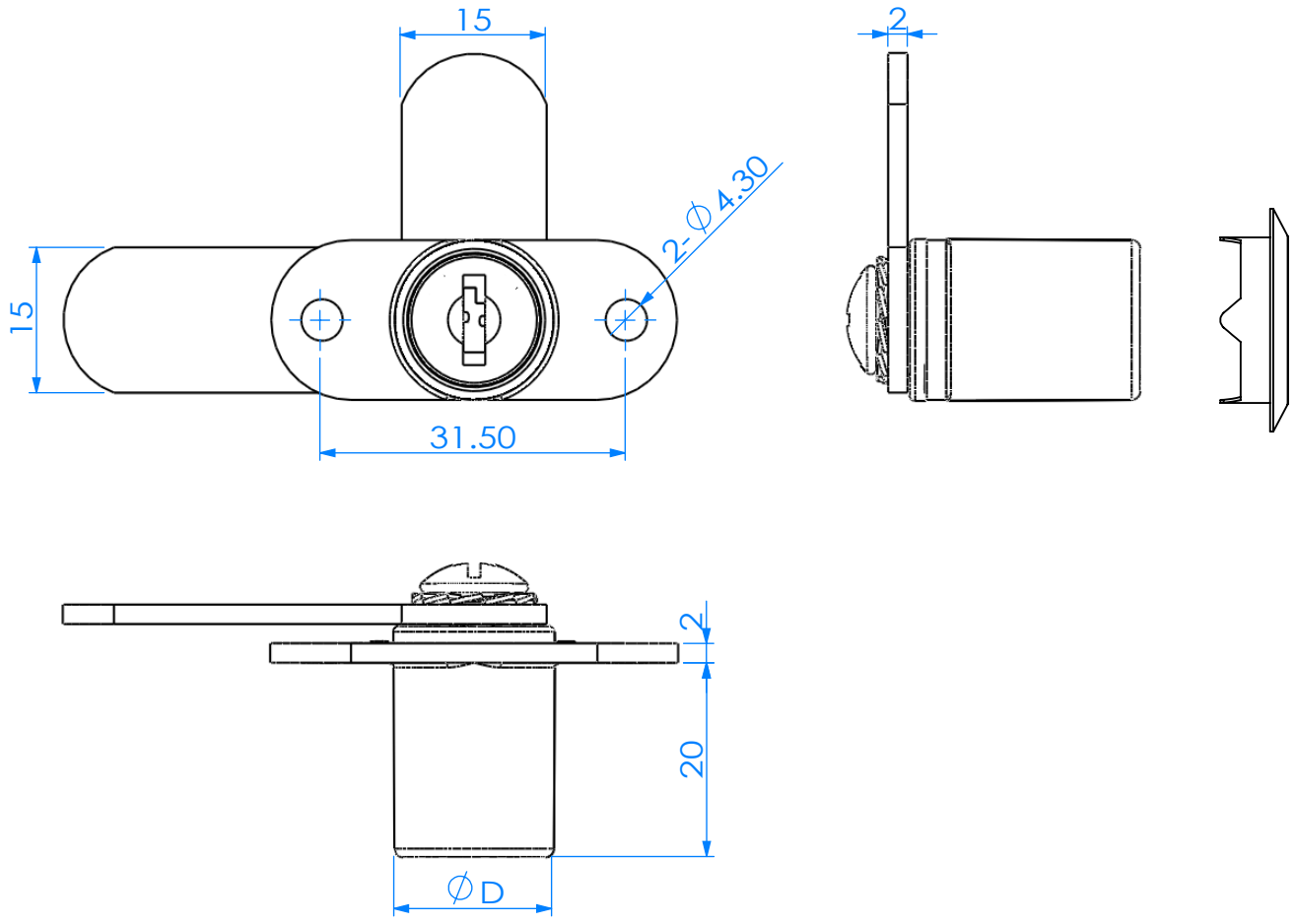
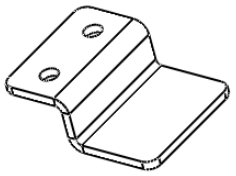
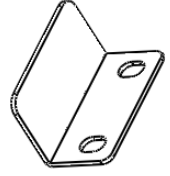


安装示意图 Installation diagram

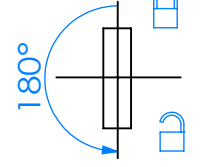


参考开孔尺寸  
Refers to the hole size

Model 3420:D17  
Model 3421:D20

规格参数表 Specification			可选配件 Selected accessories			
			A1046	A1047		
<b>Model</b>	<b>D</b>	<b>L</b>				
3420	16.5	20				
3421	19	20				

转动方向 Core turn direction



342

Version  
A1

WUIKAI LOCKS Manufactory Ltd.