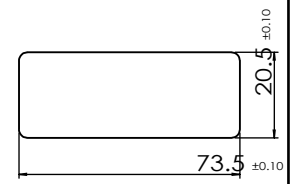
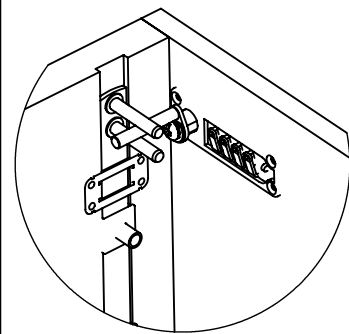
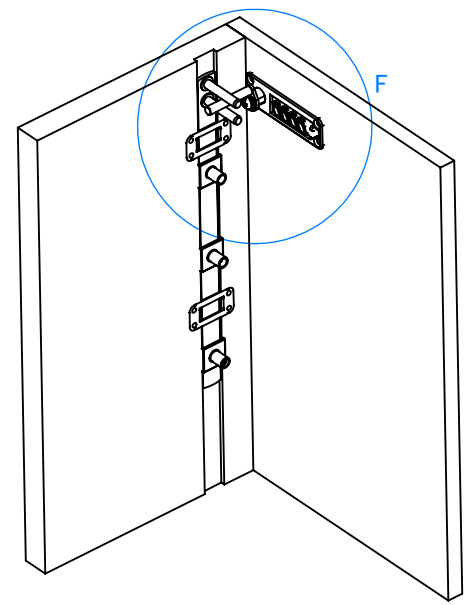


安装示意图 Installation diagram

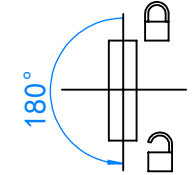


参考开孔尺寸 Refers to the hole size

F 1:3.5

规格参数表 Specification			可选配件 Selected accessories			
Model	D	L				
908L						

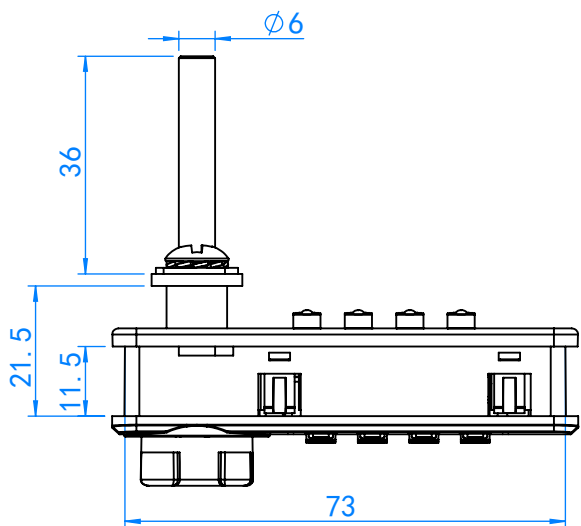
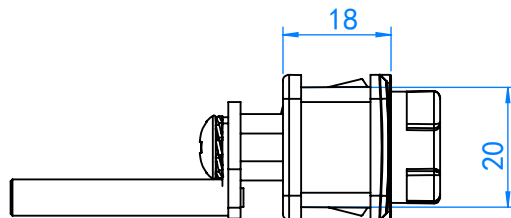
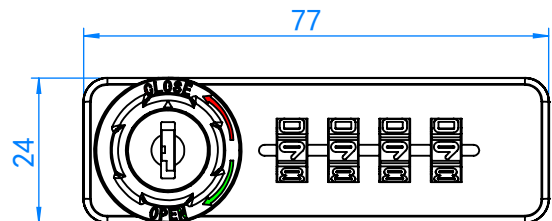
转动方向 Core turn direction



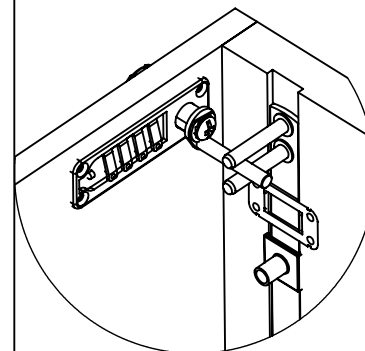
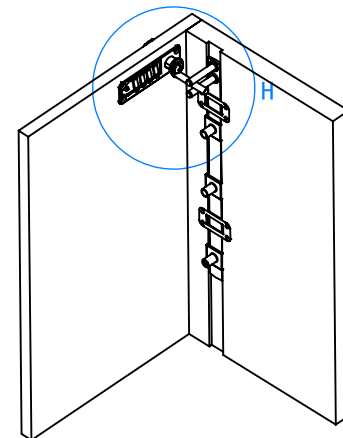
908L密码锁

Version
A0

WUIKAI LOCKS Manufactory Ltd.



安装示意图 Installation diagram



H
1:3



参考开孔尺寸

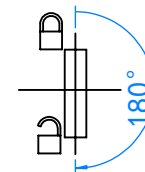
Refers to the hole size

规格参数表
Specification

可选配件 Selected accessories

Model	D	L
908R		

转动方向 Core turn direction



908R密码锁

Version
A0

WUIKAI LOCKS Manufactory Ltd.