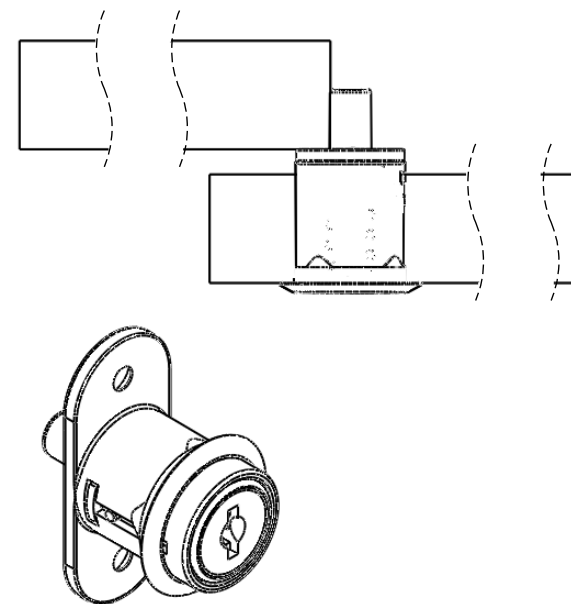
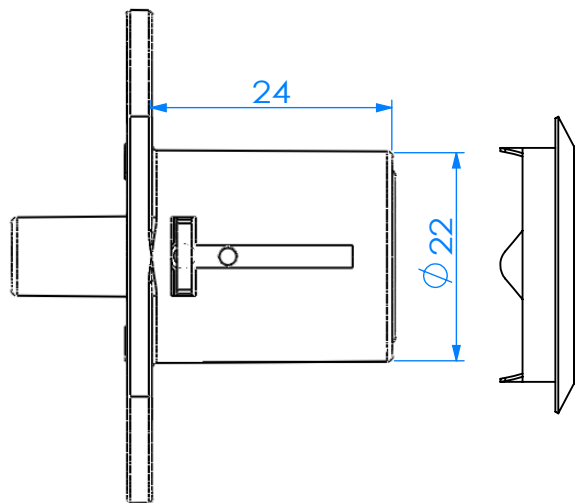
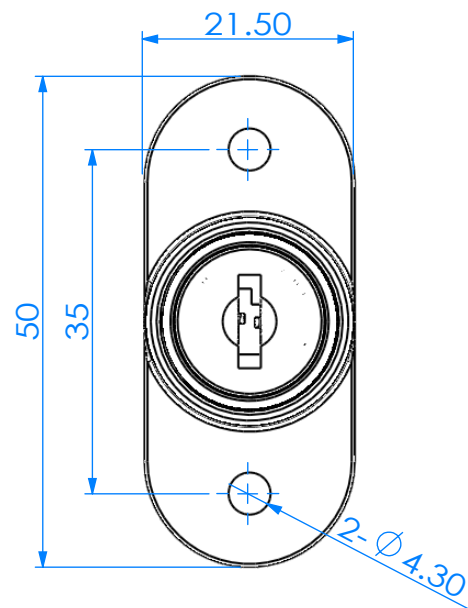


安装示意图 Installation diagram



规格参数表  
Specification

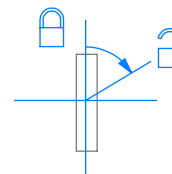
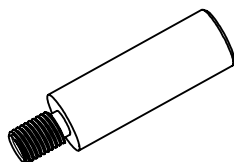
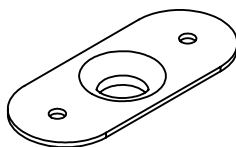
可选配件 Selected accessories

转动方向 Core turn direction

Model	D	L
1040	22	24

A1001

A1009



104

Version
A2

WUIKAI LOCKS Manufactory Ltd.