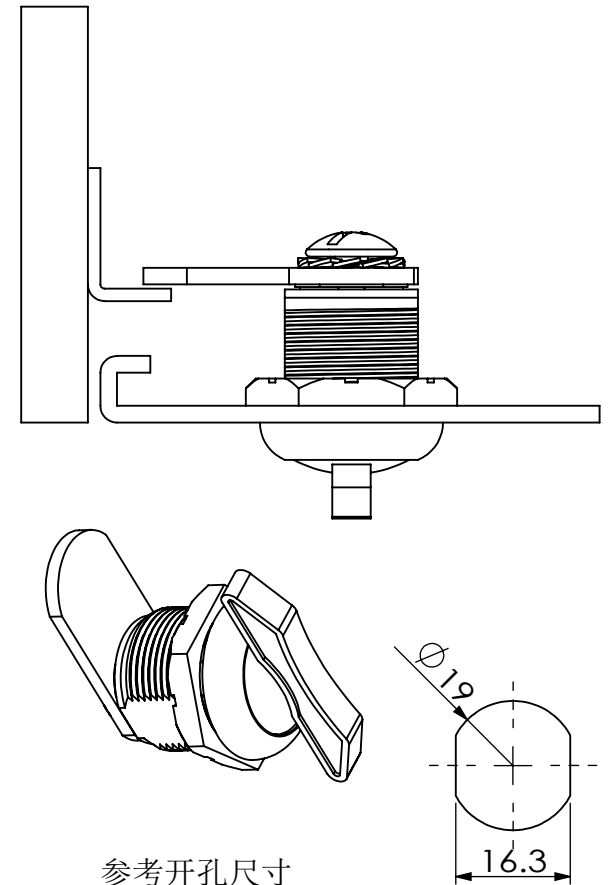


注：3200不选配A1101  
Notes: 3200 W/O A1101

安装示意图 Installation diagram

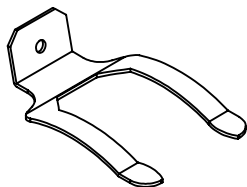


参考开孔尺寸  
Refers to the hole size

可选配件 Selected accessories

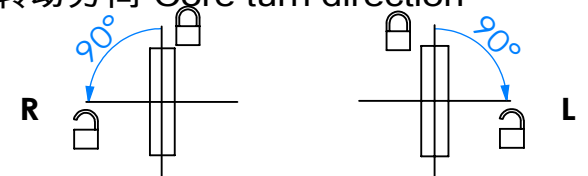
规格参数表  
Specification

Model	D	L
3200	19	16
3201	19	20
3202	19	25
3203	19	30



A1015

转动方向 Core turn direction



320

Version  
A0

WUIKAI LOCKS Manufactory Ltd.