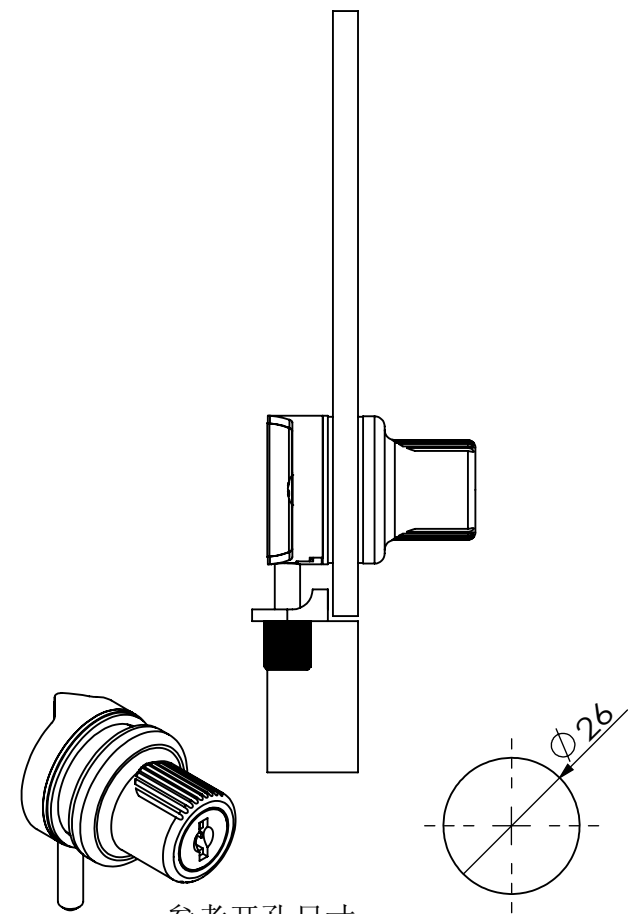


Buckle

安装示意图 Installation diagram



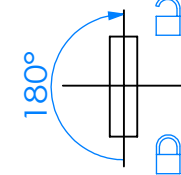
参考开孔尺寸
Refers to the hole size

规格参数表
Specification

可选配件 Selected accessories

Model	D	L
224	25	

转动方向 Core turn direction



224

Version
A0

WUIKAI LOCKS Manufactory Ltd.