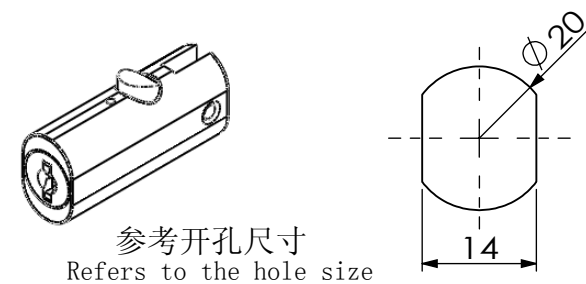
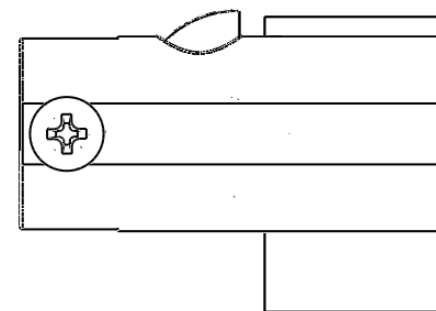
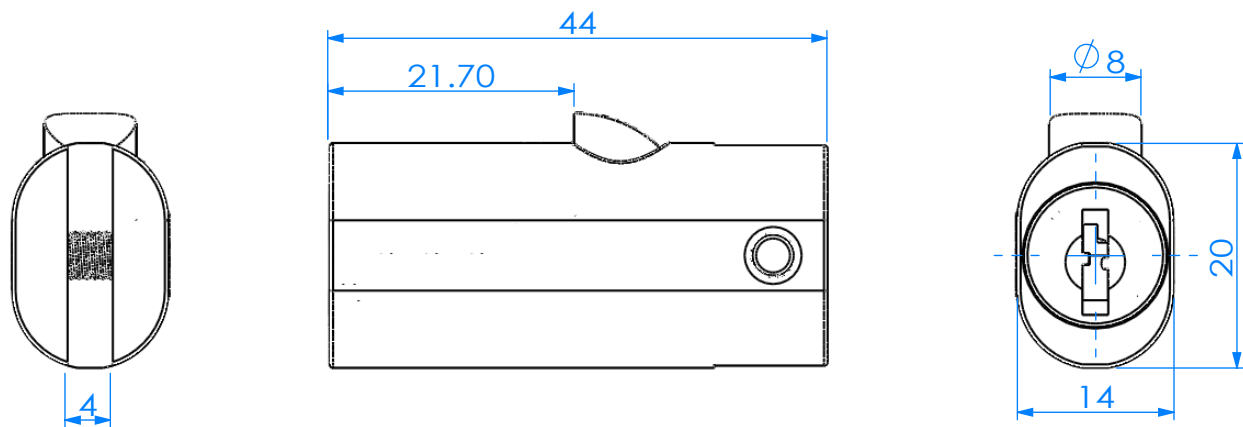


安装示意图 Installation diagram

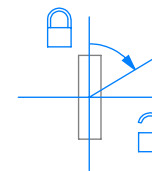


规格参数表
Specification

可选配件 Selected accessories

Model	D	L
2280		

转动方向 Core turn direction



228

Version

A0

WUIKAI LOCKS Manufactory Ltd.