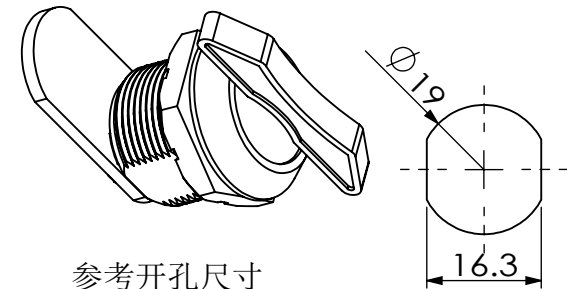
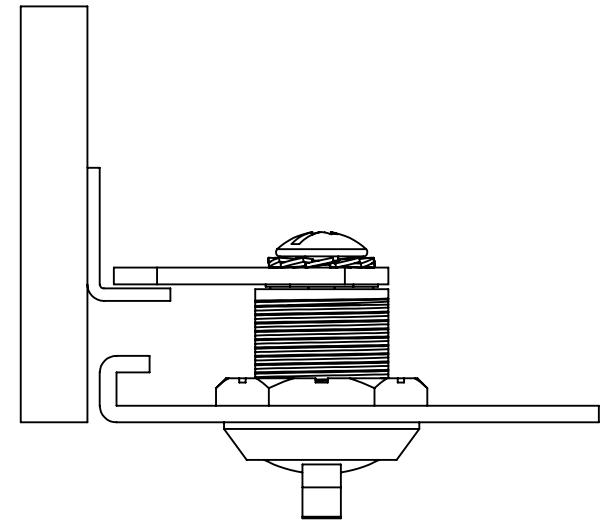


注: 3270不选配A1101
Notes: 3270 W/O A1101

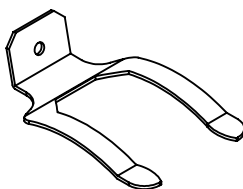
安装示意图 Installation diagram



参考开孔尺寸
Refers to the hole size

可选配件 Selected accessories

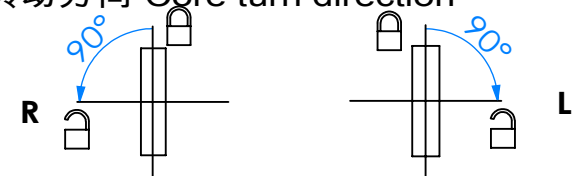
A1015



规格参数表
Specification

Model	D	L
3270	19	16
3271	19	20
3272	19	25
3273	19	30

转动方向 Core turn direction



327

Version
A0

WUIKAI LOCKS Manufactory Ltd.