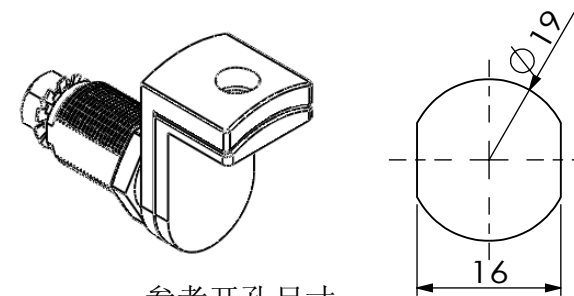
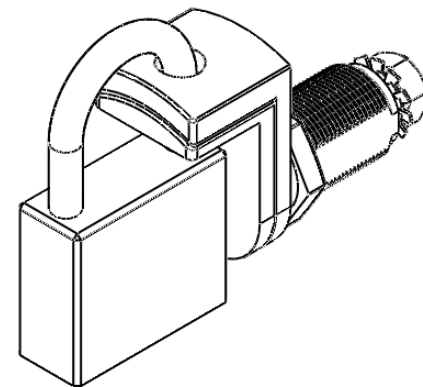


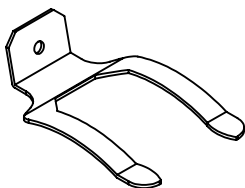
安装示意图 Installation diagram



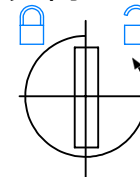
参考开孔尺寸
Refers to the hole size

可选配件 Selected accessories

A1015



转动方向 Core turn direction



1992

Version
A0

WUIKAI LOCKS Manufactory Ltd.

规格参数表
Specification

Model	D	L
1992		