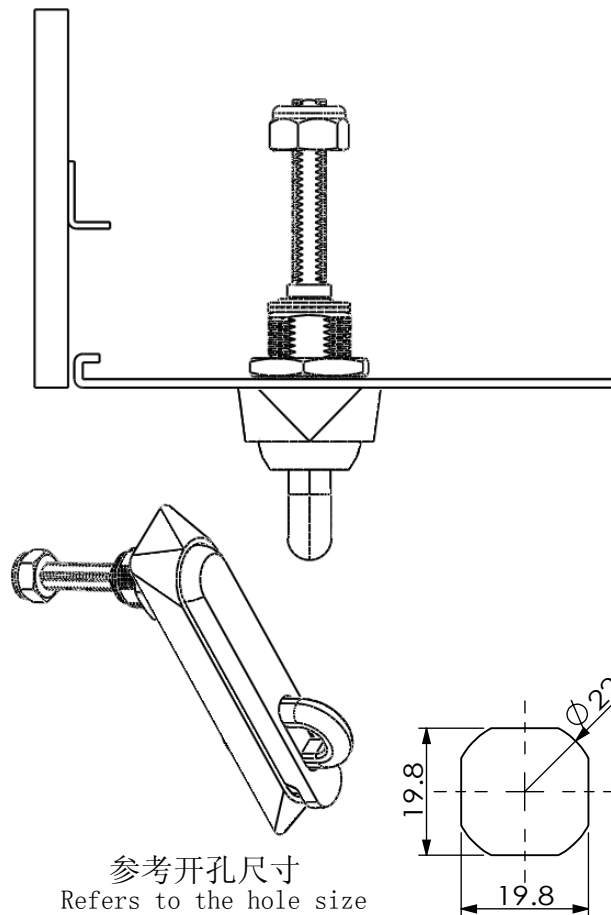


安装示意图 Installation diagram

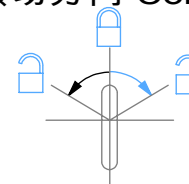


规格参数表  
Specification

可选配件 Selected accessories

Model	D	L
F737		

转动方向 Core turn direction



F737

Version
A0

WUIKAI LOCKS Manufactory Ltd.