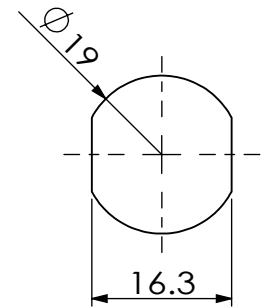
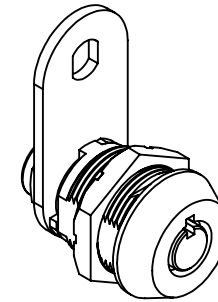
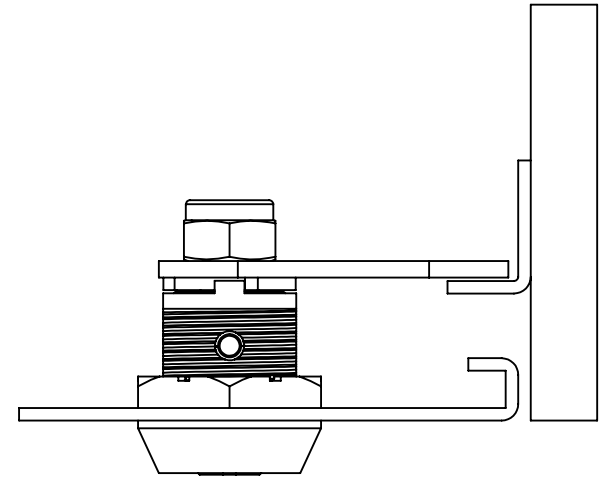


安装示意图 Installation diagram

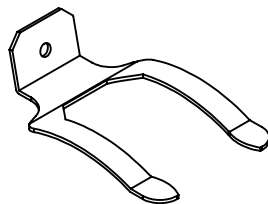


参考开孔尺寸
Refers to the hole size

规格参数表
Specification

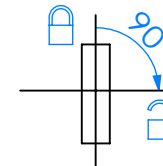
可选配件 Selected accessories

Model	D	L
3610	19	17
3611	19	23
3612	19	28



A1015

转动方向 Core turn direction



3610

Version
A0

WUIKAI LOCKS Manufactory Ltd.