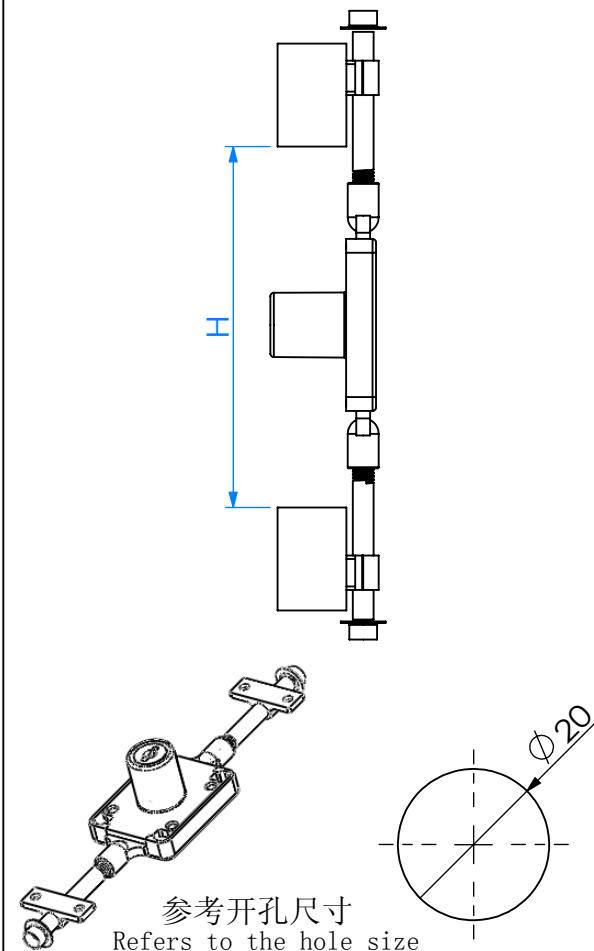


安装示意图 Installation diagram

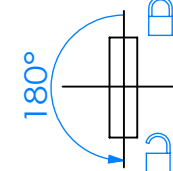


可选配件 Selected accessories

转动方向 Core turn direction

规格参数表  
Specification

Model	D	L
1690	19	22
1691	19	32



169D19L22

Version  
01

WUIKAI LOCKS Manufactory Ltd.