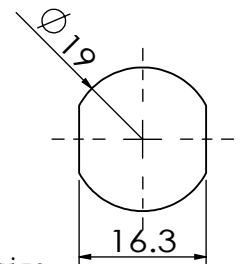
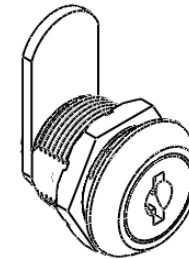
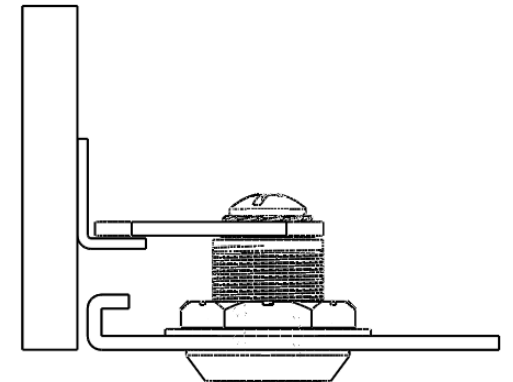


注: 1030不选配A1101  
Notes: 1030 W/O A1101

Standard
1030+A01
1031+A09
1032+A09
1033+A09

Straight Cam Plate		CODE	L
	A01	25	
	A02	30	
	A03	35	
	A04	40	
	A05	45	
	A06	50	
Hook Type Cam Plate		CODE	L
	A07	25	
	A08	30	
	A09	40	
	A10	50	

### 安装示意图 Installation diagram



参考开孔尺寸  
Refers to the hole size

### 规格参数表 Specification

Model	D	L
1030	19	16
1031	19	20
1032	19	25
1033	19	30

### 可选配件 Selected accessories

A1012	A1015	Offset CAM

### 转动方向 Core turn direction



103

Version  
A0

WUIKAI LOCKS Manufactory Ltd.