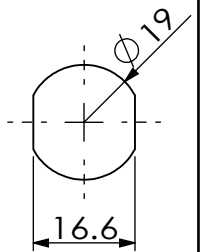
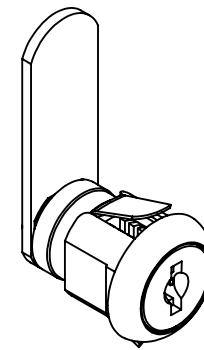
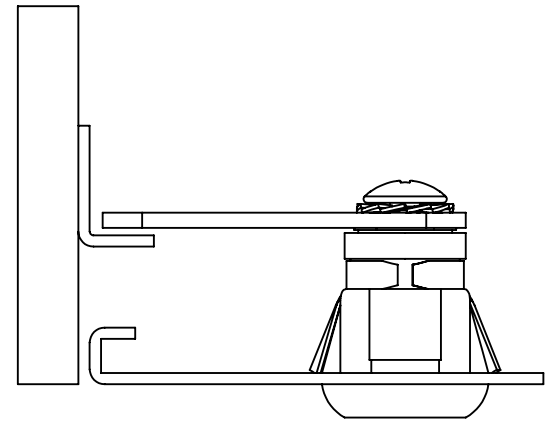
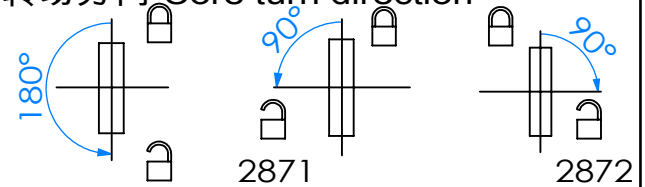


安装示意图 Installation diagram



参考开孔尺寸
Refers to the hole size

转动方向 Core turn direction



287

Version
A0

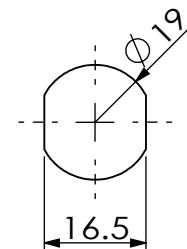
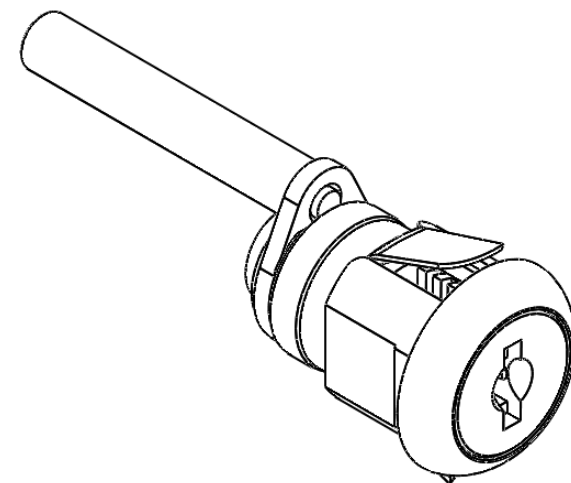
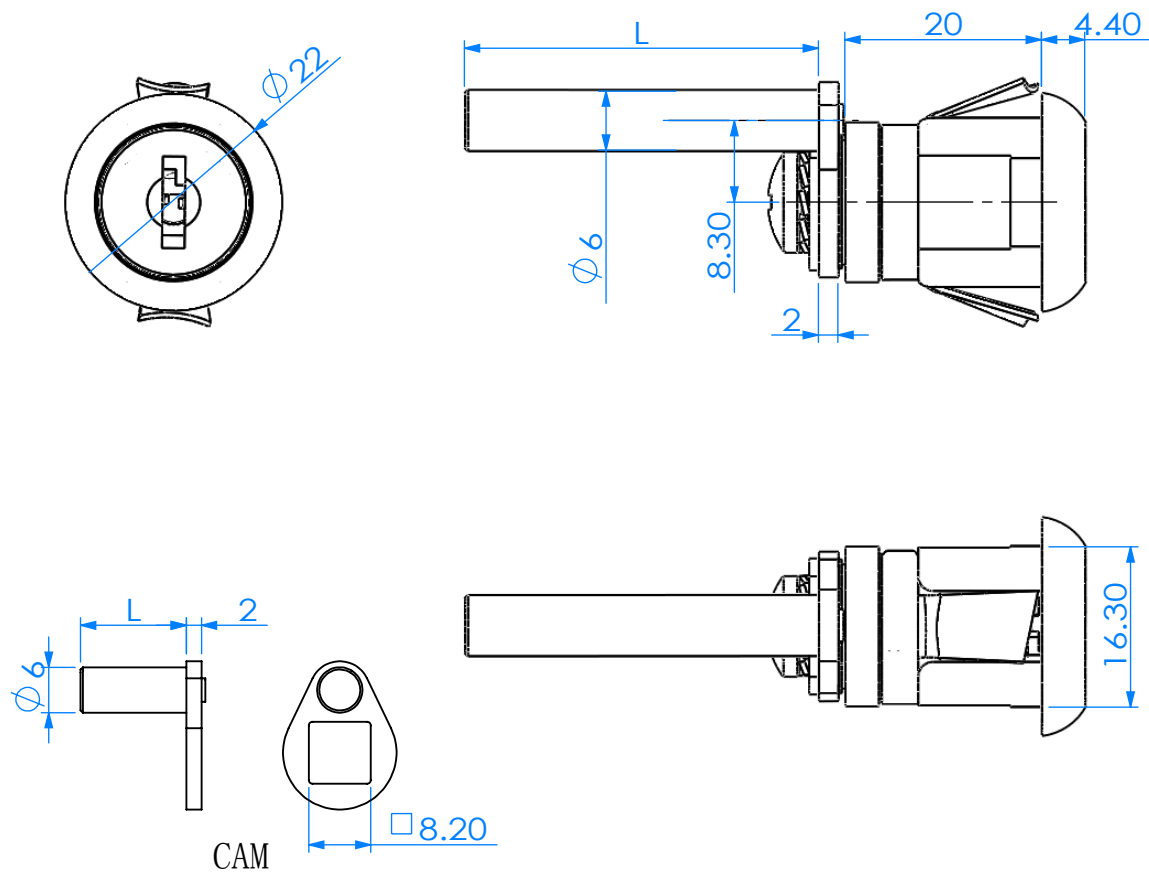
WUIKAI LOCKS Manfactory Ltd.

可选配件 Selected accessories

规格参数表
Specification

Model	D	L
2870	19	20
2871	19	20
2872	19	20

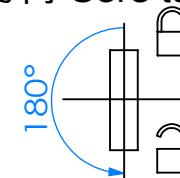
安装示意图 Installation diagram



参考开孔尺寸
Refers to the hole size

可选配件 Selected accessories

转动方向 Core turn direction



规格参数表
Specification

Model	D	L
2875		14
2876		36
2877		60

287

Version
A0

WUIKAI LOCKS Manufactory Ltd.