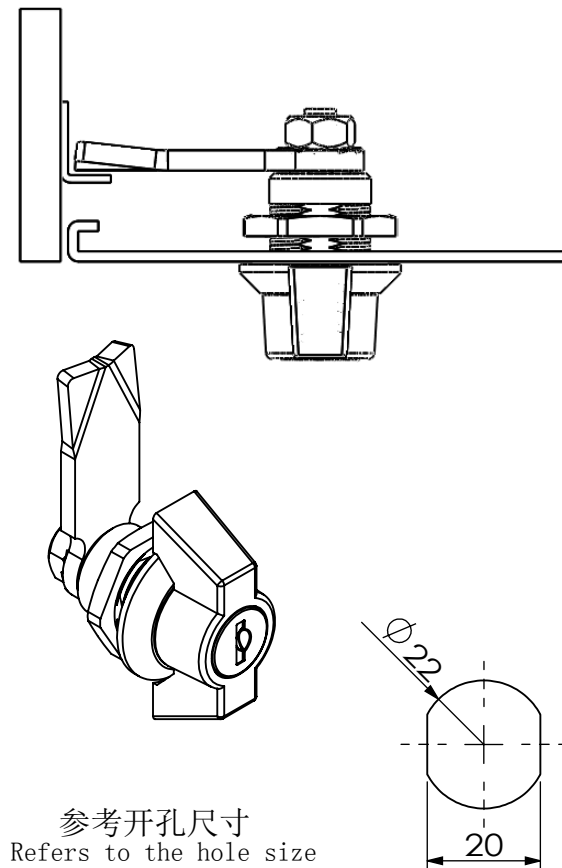


安装示意图 Installation diagram



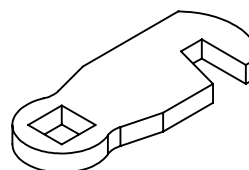
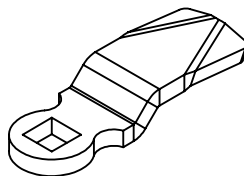
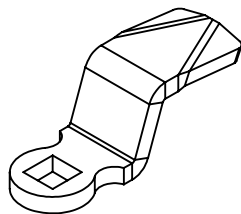
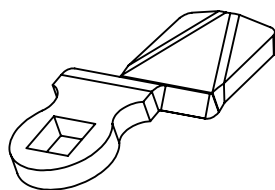
可选配件 Selected accessories

S1#

S8#

S10#

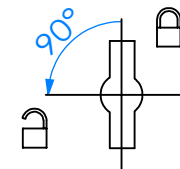
S11#



规格参数表  
Specification

Model	D	L
6050	22	18

转动方向 Core turn direction



6050

Version  
A0

WUIKAI LOCKS Manufactory Ltd.