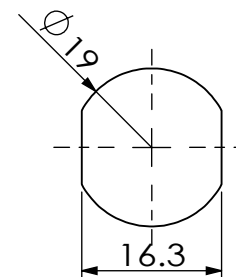
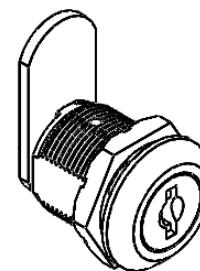
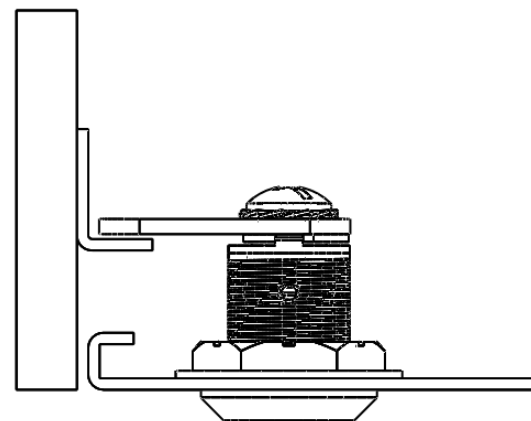


安装示意图 Installation diagram



参考开孔尺寸
Refers to the hole size

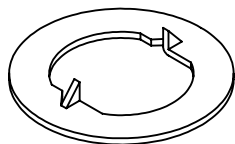
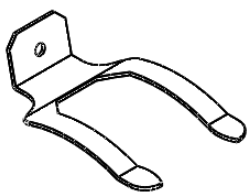
规格参数表
Specification

可选配件 Selected accessories

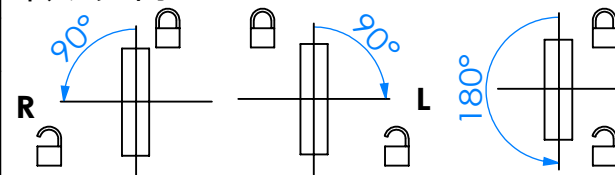
Model	D	L
3631	19	20
3632	19	25
3633	19	30

A1015

A1011



转动方向 Core turn direction



363

Version
A0

WUIKAI LOCKS Manfactory Ltd.