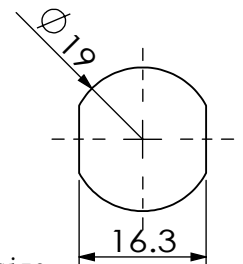
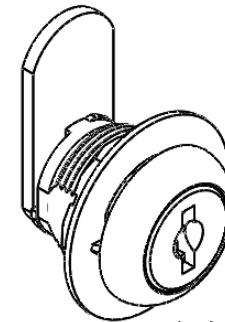
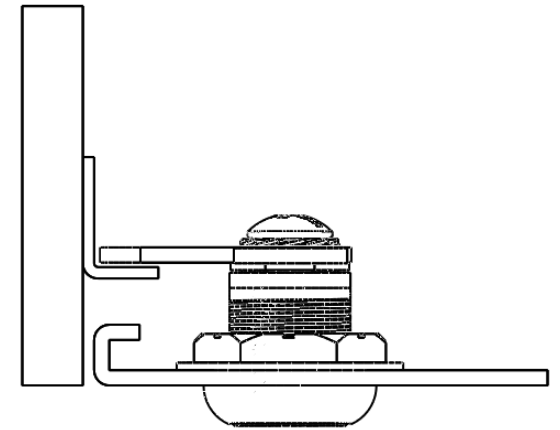


注：2750不选配A1101
Notes: 2750 W/O A1101

安装示意图 Installation diagram



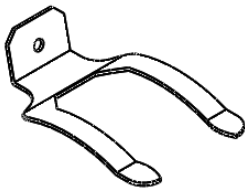
参考开孔尺寸
Refers to the hole size

可选配件 Selected accessories

规格参数表
Specification

A1015

Model	D	L
2750	3/4"	5/8"
2751	3/4"	7/8"
2752	3/4"	9/8"
2753	3/4"	11/8"



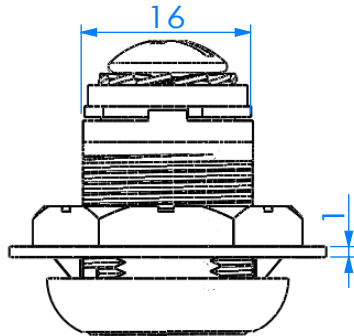
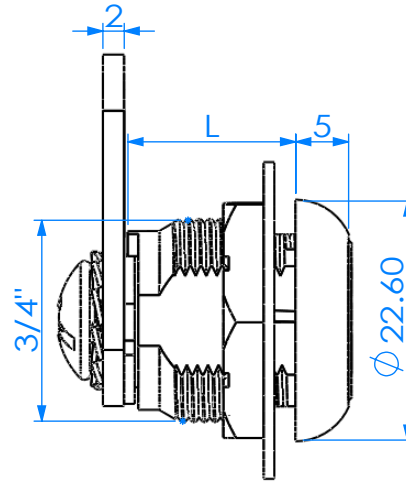
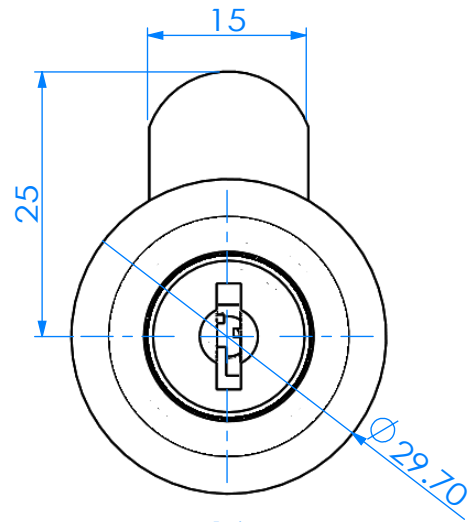
转动方向 Core turn direction



275

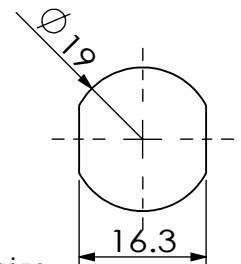
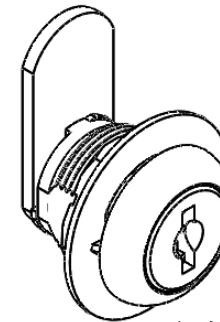
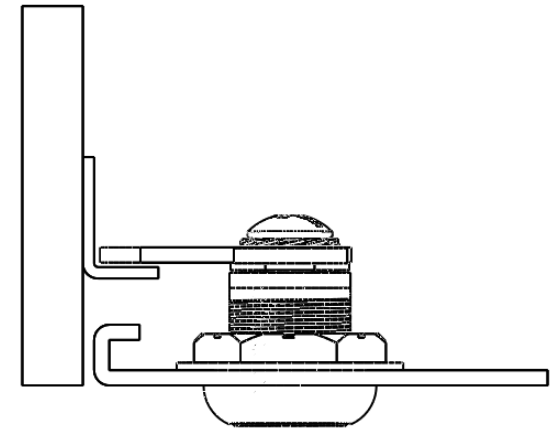
Version
A0

WUIKAI LOCKS Manufactory Ltd.



注：2754不选配A1101
Notes: 2754 W/O A1101

安装示意图 Installation diagram



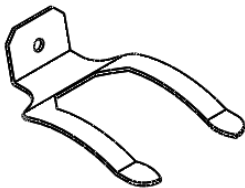
参考开孔尺寸
Refers to the hole size

规格参数表
Specification

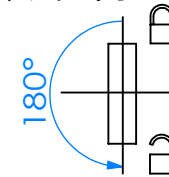
可选配件 Selected accessories

Model	D	L
2754	3/4"	5/8"
2755	3/4"	7/8"
2756	3/4"	9/8"
2757	3/4"	11/8"

A1015



转动方向 Core turn direction



275

Version
A0

WUIKAI LOCKS Manufactory Ltd.