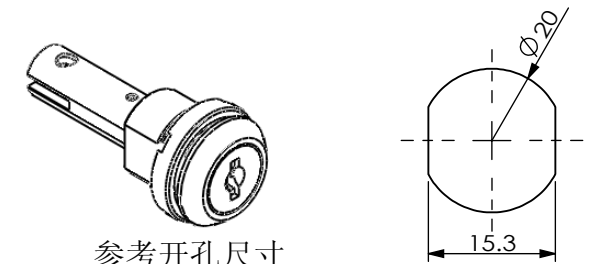
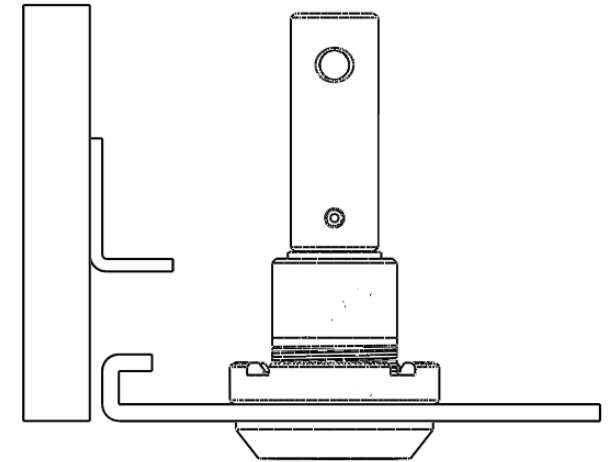


安装示意图 Installation diagram



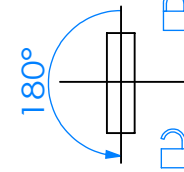
参考开孔尺寸
Refers to the hole size

规格参数表
Specification

Model	D	L
1930		

可选配件 Selected accessories

转动方向 Core turn direction



193	Version A0
-----	---------------

WUIKAI LOCKS Manufactory Ltd.