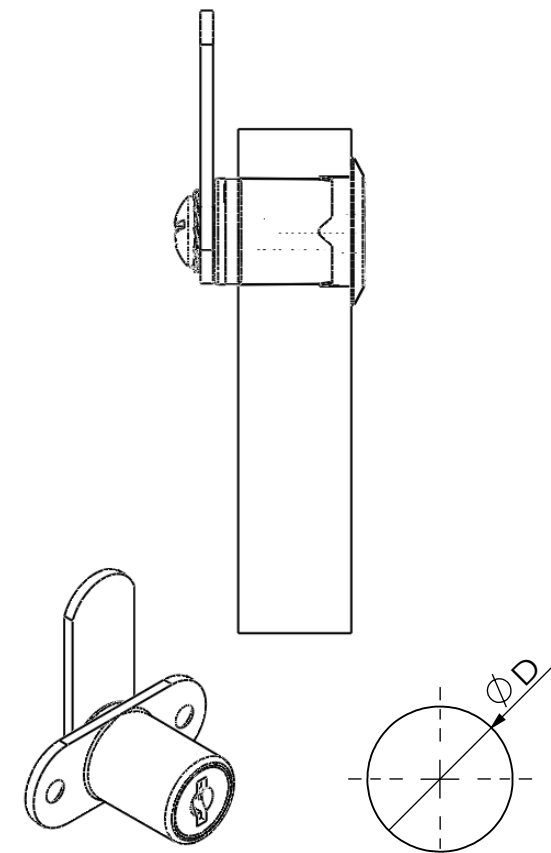


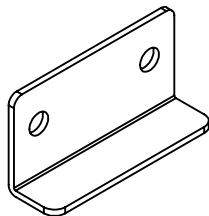
安装示意图 Installation diagram



参考开孔尺寸 Refers to the hole size
 Model 2010:D17.5
 Model 2011:D20

可选配件 Selected accessories

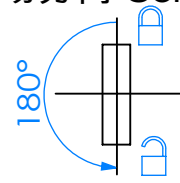
A1006



规格参数表 Specification

Model	D	L
2010	16.5	20
2011	19	20

转动方向 Core turn direction



201D16.5L20L

Version
A0

WUIKAI LOCKS Manufactory Ltd.