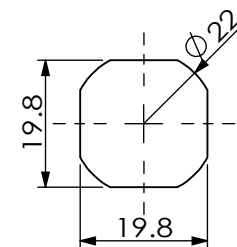
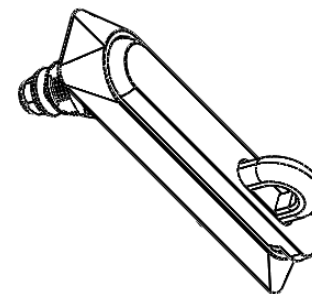
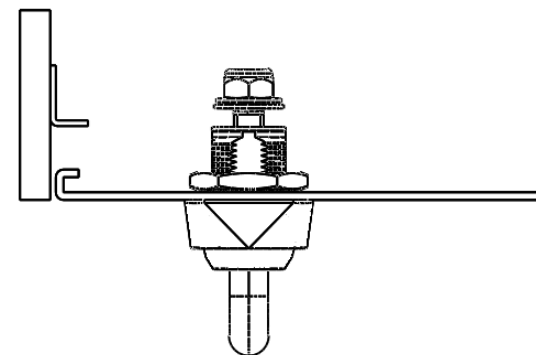


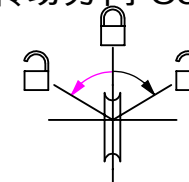
安装示意图 Installation diagram



参考开孔尺寸
Refers to the hole size

可选配件 Selected accessories

转动方向 Core turn direction



规格参数表
Specification

Model	D	L
F736		

Version
A0

F736

WUIKAI LOCKS Manufactory Ltd.